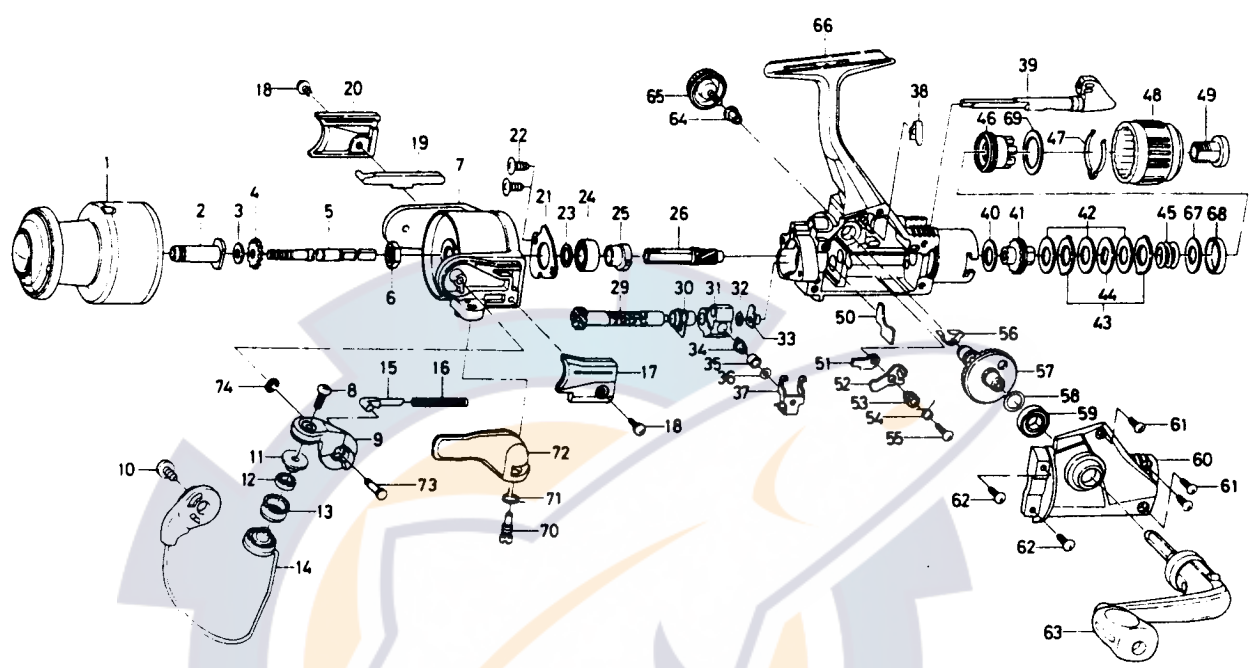


# SPINNING REEL — TD1355H



Key No.	Part No.	Part Name	Price	Key No.	Part No.	Part Name	Price
1	F05-7902	Spool assembly	17.00	39	F05-9901	Anti-reverse lever	3.20
2	F05-8101	Spool metal	2.10	40	B48-9904	Drag washer A	.45
3	374-6400	Spool washer	.40	41	F09-6501	Click gear	1.40
4	E13-1201	Main shaft washer	.95	42	B49-0202	Drag washer B	.60
5	F05-7201	Main shaft	2.80	43	B49-0102	Eared washer	.40
6	341-9201	Rotor nut	.55	44	B49-0301	Key washer	.45
7	F07-6101	Rotor	6.40	45	F06-2301	Drag coil spring	.95
8	B67-9305	Line roller screw	.45	46	F05-7501	Drag screw	3.20
9	F06-3901	Bail arm	1.45	47	F05-9701	Drag washer spring	.70
10	E00-7102	Bail trip cam screw	.45	48	F06-3101	Drag knob	3.70
11	F06-6301	Line roller collar	1.50	49	F05-7801	Drag knob screw	1.45
12	F05-5601	Ball bearing A	9.50	50	F08-7201	Shield plate	.50
13	F05-8901	Line roller	2.75	51	B95-9301	Anti-reverse pawl plate	.70
14	F06-4101	Bail assembly	9.30	52	E27-1301	Anti-reverse pawl	1.15
15	E36-4401	Bail spring shaft	.70	53	B95-9501	Anti-reverse pawl collar	.95
16	E39-0601	Bail spring	.60	54	B95-9602	Anti-reverse pawl spring A	.60
17	E36-9702	Bail spring cover	1.65	55	B00-8601	Anti-reverse pawl screw	.35
18	E36-4201	Bail spring cover screw	.60	56	E24-5301	Anti-reverse pawl spring B	1.60
19	E36-5001	Bail trip lever	1.40	57	F00-5701	Drive gear	3.50
20	E36-5105	Bail trip cover	1.40	58	375-8501	Drive gear washer	.45
21	F05-7101	Bearing retainer	.55	59	634-1301	Ball bearing C	7.65
22	E03-7801	Bearing retainer screw	.60	60	F06-3801	Side cover	8.90
23	375-8503	Bearing washer	.70	61	E15-8601	Side cover screw A	.60
24	L03-6601	Ball bearing B	7.10	62	E15-8602	Side cover screw B	.60
25	F03-7501	Anti-reverse ratchet	1.10	63	F02-0101	Handle assembly	13.00
26	E36-9201	Pinion gear	7.00	64	501-8501	Handle collar	.70
29	F05-6501	Worm shaft	8.30	65	F03-5602	Handle lock screw	1.65
30	F08-7101	Worm shaft bush	.95	66	F06-3701	Body assembly	20.50
31	F05-6401	Oscillating slider	3.20	67	372-7601	Drag screw washer A	.55
32	B53-6100	Worm shaft washer	.60	68	F12-4401	Drag screw collar	.70
33	F05-6901	Worm shaft collar	.95	69	E49-5001	Drag screw washer B	.70
34	E19-1202	Oscillating pawl	5.90	70	E37-0001	Trigger screw	2.10
35	E19-1301	Oscillating pawl bush	3.10	71	E36-9901	Trigger spring	.70
36	375-0800	Oscillating pawl washer	.50	72	F06-4001	Trigger lever	3.50
37	F05-7301	Oscillating slider cover	1.40	73	E36-9601	Bail arm screw	1.40
38	E26-8701	Anti-reverse cam spring	.60	74	320-5901	Bail arm screw retainer	.50